



Features	
Series:	V
Type:	80
Code and description:	98810810EN00211504
Customer's code:	-
Colour:	Black

Last drawing	
Index: -	Date: -

Application	
-	

Driveline data	
X	1 3/8" Z6 DIN 9611
Y	1 3/8" Z6 DIN 9611
E	620-24.41"
I	635-25"
P	550-21.65"

Overlap		
	Steel tubes	Guard
Max.	585-23.03"	530-20.87"
Min.	195-7.68"	140-5.51"

Greasing point	
1)	-
2)	-

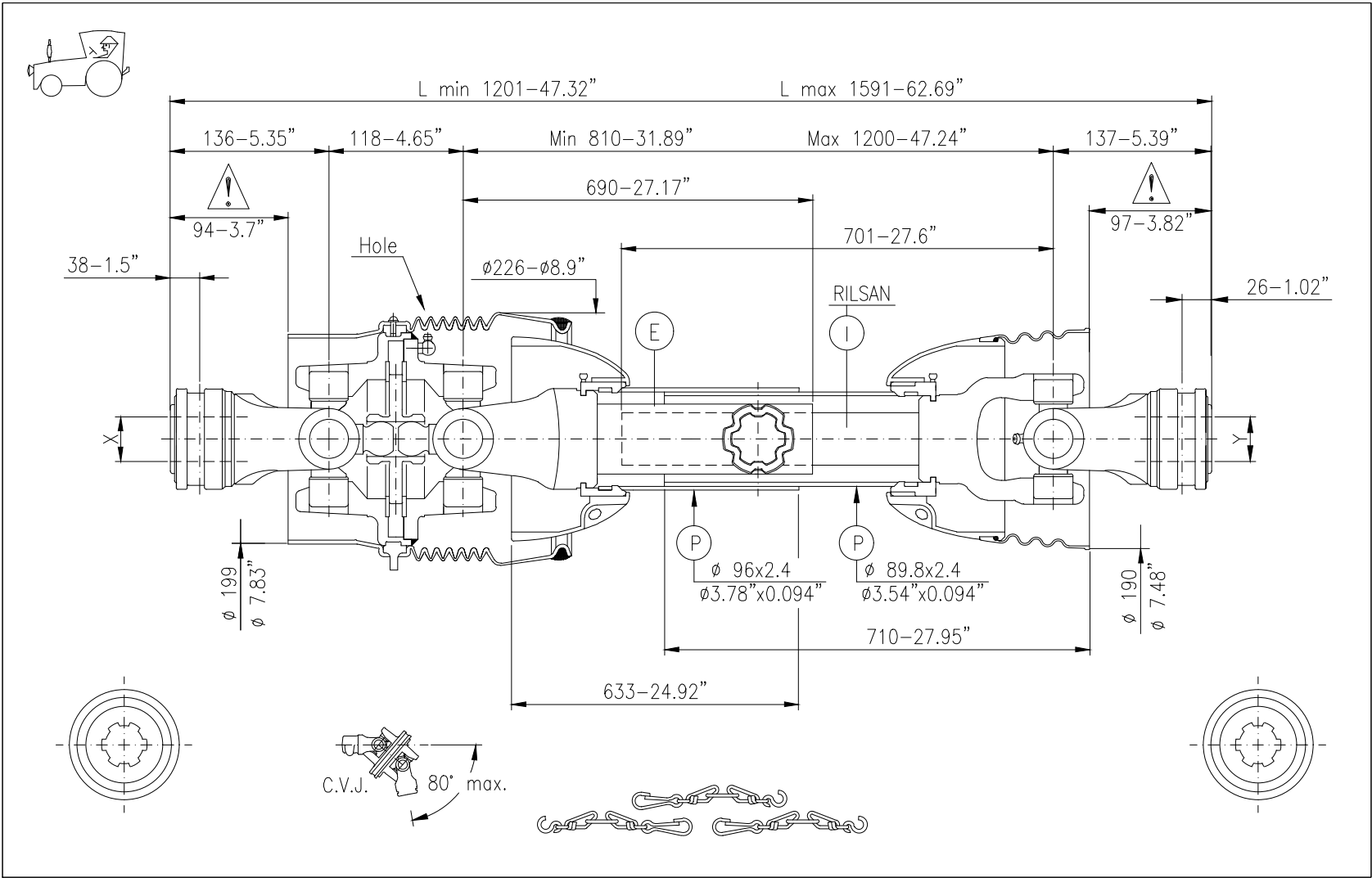
The dimensioning is cross to cross

Cross and tubes	

End fittings		Max. torque
Tractor	Cod: C02	-
Implement	Cod: C12	-

Notes:
CE CERTIFIED

Warning !
Sections of driveline marked are not shielded and must be shielded by an interactive guarding system.
COMER spa. declines responsibility if proper guards are not provided or maintained.



Data 540 r.p.m.			
KW	CV	Nm.	in.lb.
74	100	1300	11500

Data 1000 r.p.m.			
KW	CV	Nm.	in.lb.
113	154	1080	9550

1100 min.⁻¹
r.p.m. max.

Continuous operation data and conditions, working angle 5°, average life 1000 hours

Data for only critical velocity			
	540 r.p.m.		1000 r.p.m.
Max.	-	Max.	-
L max.	-	L max.	-
Checked:	Signed by: A.Sa.		Date: 29-09-20

Customer:
-
Date: 29-09-20